

**NG 504 TR**

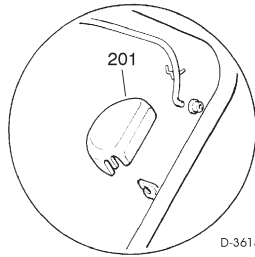
**NG 504 TR-E**

CHASSIS  
MANICO  
COMANDI  
DOTAZIONE VITERIE

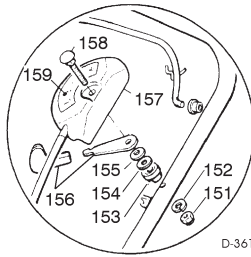
DECK  
HANDLE  
CONTROLS  
SCREWS OUTFITS

CHÂSSIS  
MANCHERON  
COMMANDES  
DOTATION VISSERIE

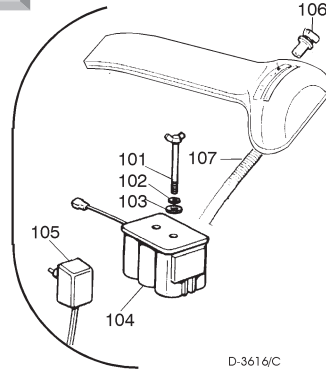
GEHÄUSE  
HOLM  
BETÄTIGUNGEN  
SCRAUBENSATZ



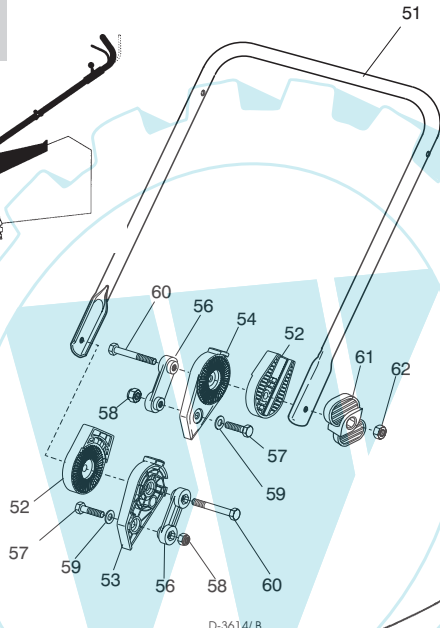
D-3615/E



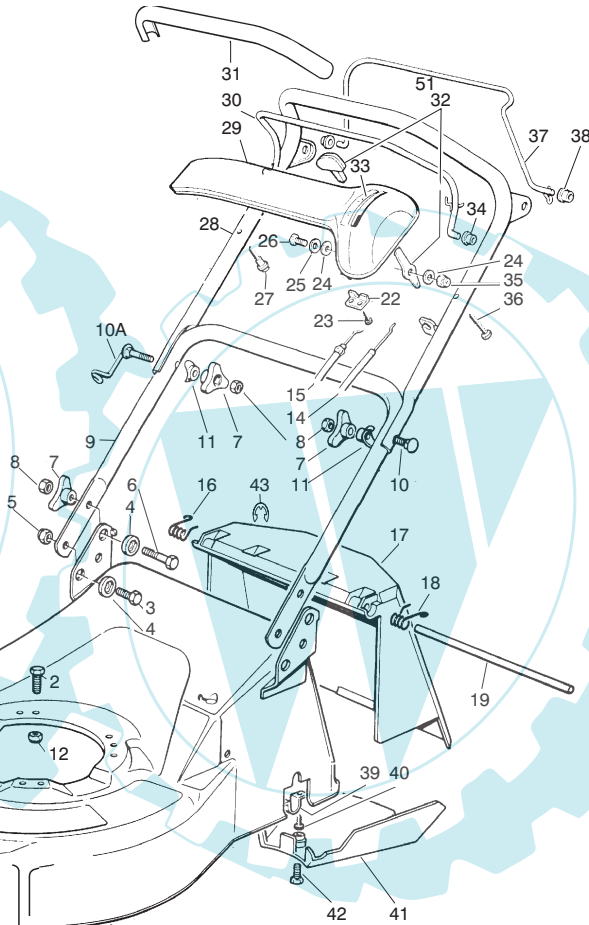
D-3615/D



D-3616/C



D-3614/B



D-3658/A

SPARE PARTS CATALOGUE

ERSATZTEILKATALOG

GB

D

CATALOGO DELLE PARTI  
DI RICAMBIO

CATALOGUE DES PIÈCES  
DE RECHANGE

I

F

T-3658/A

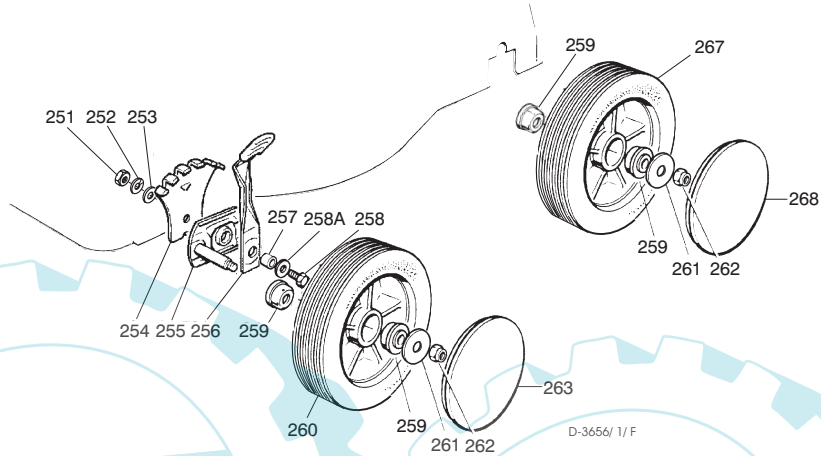
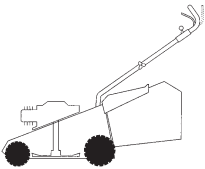
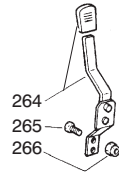
Pos. Nr.	Codice Code Kodex	Q.tà Q.ty-Q.tè Menge	Descrizione	Description	Description	Beschreibung
1			CHASSIS	DECK	CHÂSSIS	GEHÄUSE
—	81001608/0	1	ROSSO (TR)	RED (TR)	ROUGE (TR)	ROTES (TR)
—	81001609/0	1	GIALLO (TR)	YELLOW (TR)	JAUNE (TR)	GELBES (TR)
—	81001610/0	1	VERDE (TR)	GREEN (TR)	VERT (TR)	GRÜNES (TR)
—	81001669/0	1	ROSSO (TR-E)	RED (TR-E)	ROUGE (TR-E)	ROTES (TR-E)
—	81001670/0	1	GIALLO (TR-E)	YELLOW (TR-E)	JAUNE (TR-E)	GELBES (TR-E)
—	81001671/0	1	VERDE (TR-E)	GREEN (TR-E)	VERT (TR-E)	GRÜNES (TR-E)
2			VITE	SCREW	VIS	SCHRAUBE
—	12793700/0	3/2	(M8x30)	(M8x30)	(M8x30)	(M8x30)
—	12691800/0	0/1	(M8x60)	(M8x60)	(M8x60)	(M8x60)
3	12792610/0	2	VITE	SCREW	VIS	SCHRAUBE
4	22041955/0	4	BUSSOLA	BUSH	DOUILLE	BUCHSE
5	12155000/0	2	DADO	NUT	ECROU	MUTTER
6	12793700/0	2	VITE	SCREW	VIS	SCHRAUBE
7	22399900/0	4	MANOPOLINA	KNOB	POIGNÉE	GRIFF
8	12293200/0	4	DADO	NUT	ECROU	MUTTER
9	81006512/0	1	PARTIE INF. MANICO	LOWER HANDLE	PARTIE INF. MANCHERON	UNTERHOLM
10	12819201/0	1	VITE	SCREW	VIS	SCHRAUBE
10A	81003801/0	1	MOLLA GUIDA	SPRING	RESSORT	FEDER
11	22680006/1	2	RONDELLA	WASHER	RONDELLE	SCHEIBE

Pos. Nr.	Codice Code Kodex	Q.tà Q.ty-Q.tè Menge	Descrizione	Description	Description	Beschreibung	
12	12293201/0	3/2	DADO	NUT	ECROU	MUTTER	
—	12155000/0	0/1	DADO	NUT	ECROU	MUTTER	
14	81007160/0	1	CAVO ACCELERATORE	THROTTLE CABLE	CABLE ACCELERATEUR	BESCHLEUNIGER KABEL	
15	81000629/0	1	CAVO FRENO MOTORE (TECUMSEH)	THREAD MOTOR BRAKE (TECUMSEH)	CABLE FREIN MOTEUR (TECUMSEH)	MOTORBREMSEKABEL (TECUMSEH)	
—	81000631/0	1	(QUANTUM XM-ES 40)	(QUANTUM XM-ES 40)	(QUANTUM XM-ES 40)	(QUANTUM XM-ES 40)	
—	81000625/0	1	(SPRINT 375/ QUATTRO)	(SPRINT 375/ QUATTRO)	(SPRINT 375/ QUATTRO)	(SPRINT 375/ QUATTRO)	
—	81000640/0	1	(HONDA GCV 135/ 160))	(HONDA GCV 135/ 160))	(HONDA GCV 135/ 160))	(HONDA GCV 135/ 160))	
16	22450410/1	1	MOLLA DX	RIGHT SPRING	RESSORT DROITE	RECHTE FEDER	
17	22600028/4	1	PARASASSI	STONE-GUARD	PARE-PIERRES	PRALLBLECH	
18	22450420/1	1	MOLLA SX	LEFT SPRING	RESSORT GAUCHE	LINKE FEDER	
19	22517906/1	1	PERNO	PIN	PIVOT	BOLZEN	
22	22981467/0	1	PIASTRINA	PLAQUE	PLAQUETTE	PLATTE	
23	12735105/0	2	VITE	SCREW	VIS	SCHRAUBE	
24	12523040/0	2	RONDELLA	WASHER	RONDELLE	SCHEIBE	
25	12530060/0	1	RONDELLA ELASTICA	SPRING WASHER	RONDELLE ELASTIQUE	ELASTISCHE SCHEIBE	
26	12791500/0	1	VITE	SCREW	VIS	SCHRAUBE	
27	22943006/0	1	VITE	SCREW	VIS	SCHRAUBE	
28	81007024/0	1	PARTE SUP. MANICO	UPPER HANDLE	PARTIE SUP. MANCHERON	OBERHOLM	
29	81007024/0	1	CRUSCOTTO	DASH BOARD	CONSOLE	KONSOLE	
—	22120154/0	1	ROSSO	RED	ROUGE	ROTE	
—	22120152/0	1	GIALLO	YELLOW	JAUNE	GELBE	
—	22120158/0	1	NERO	BLACK	NOIRE	SCHWARZE	
30	81003291/2	1	LEVA FRENO MOTORE	BRAKE LEVER	LEVIER FREIN MOTEUR	MOTORBREMSEHEBEL	
31	81003291/2	1	IMPUGNATURA MANICO	HANDGRIP	POIGNÉE	HANDGRIFF	
—	22291050/0	1	NERA	BLACK	NOIRE	SCHWARZER	
—	22291051/0	1	ROSSA	RED	ROUGE	RÖTER	
—	22291052/0	1	GIALLA	YELLOW	JAUNE	GELBER	
32	81007280/2	1	ASS. LEVA + MANOPOLINA	LEVER + KNOB ASS. Y	ENS. LEVIER + POIGNÉE	HEBEL + GRIFF SATZ	
33	81007280/2	1	ETICHETTA	LABEL	ETIQUETTE	ETIKETTE	
—	14356743/0	1	(TECUMSEH-HONDA)	(TECUMSEH-HONDA)	(TECUMSEH-HONDA)	(TECUMSEH-HONDA)	
—	14356744/0	1	(B&S)	(B&S)	(B&S)	(B&S)	
34	22041966/0	1	BOCCOLA	BUSH	DOUILLE	BUCHSE	
35	12154510/0	1	DADO	NUT	ECROU	MUTTER	
36	12728460/0	1	VITE	SCREW	VIS	SCHRAUBE	
37	81003288/1	1	LEVA TRAZIONE	DRIVING LEVER	LEVIER TRACTION	ANTRIEBHEBEL	
38	22041965/0	2	BOCCOLA	BUSH	DOUILLE	BUCHSE	
39	22545152/0	2	PIASTRINA	PLAQUE	PLAQUETTE	PLATTE	
40	12731350/0	4	VITE	SCREW	VIS	SCHRAUBE	
41	22060190/0	1	CARTER CINGHIA	BELT PROTECTION	PROTECTION COURROIRE	RIEMENSCHUTZ	
42	12727791/0	1	VITE	SCREW	VIS	SCHRAUBE	
43	12000930/0	1	ANELLO ELASTICO	SNAP RING	ANNEAU RESSORT	SPRENGRING	
—	81008614/1	1	DOTAZIONE VITERIA	SCREWS OUTFIT	DOTATION VISSERIE	SCHRAUBEN SATZ	
—	81008609/0	1	DOTAZIONE CRUSCOTTO	DASH-BOARD OUTFIT	DOTATION CONSOLE	KONSOLE SATZ	
			<b>VARIANTE REGOLAZIONE MANICO</b>	<b>HANDLE ADJUSTMENT VARIANT</b>	<b>VARIANTE REGLAGE POIGNEE</b>	<b>GRIFFEINSTELLVARIANTE</b>	
T-3615/B	81006510/0	1	PARTE INF. MANICO	LOWER HANDLE	PARTIE INF. MANCHERON	UNTERHOLM	
52	22785081/0	2	SUPPORTO ESTERNO	EXTERNAL SUPPORT	SUPPORT EXTERNE	AUßERE HALTERUNG	
53	22785082/0	1	SUPPORTO INTERNO DX	R. INTERNAL SUPPORT	SUPPORT INTERNE DROIT	INNERE HALTERUNG RECHTS	
54	22785083/1	1	SUPPORTO INTERNO SX	L. INTERNAL SUPPORT	SUPPORT INTERNE GAUCHE	INNERE HALTERUNG LINKS	
56	22551575/0	2	PIASTRINA INTERNA	INSIDE PLAQUE	PLAQUETTE INTERNE	INNERE PLATTE	
57	12793701/0	2	VITE	SCREW	VIS	SCHRAUBE	
58	12155000/0	2	DADO	NUT	ECROU	MUTTER	
59	12521350/0	2	RONDELLA	WASHER	RONDELLE	SCHEIBE	
60	12691810/0	2	VITE	SCREW	VIS	SCHRAUBE	
61	22399803/0	2	MANOPOLINA	KNOB	POIGNÉE	GRIFF	
62	12293202/0	2	DADO	NUT	ECROU	MUTTER	
—	81008623/0	1	DOTAZ. VITERIA	SCREWS OUTFIT	DOTATION VISSERIE	SCHRAUBEN SATZ	
			<b>VARIANTI PER AVVIAMENTO ELETTRICO</b>	<b>PARTS FOR ELECTRIC START</b>	<b>COMPOSANTS POUR DÉMARRAGE ÉLECTRIQUE</b>	<b>ELEKTROSTART BESTANDTEILE</b>	
T-3615/C	101	22517855/0	2	PERNO	PIN	PIVOT	BOLZEN
102	12523000/0	2	RONDELLA	WASHER	RONDELLE	SCHEIBE	
103	12540020/0	2	RONDELLA	WASHER	RONDELLE	SCHEIBE	
104	18120050/0	1	BATTERIA	BATTERY	BATTERIE	BATTERIE	
105	18204110/0	1	CARICA BATTERIA	BATTERY CHARGER	CHARGEUR DE BATTERIE	LADGERÄT	
106	18450050/0	1	INTERRUTTORE	SWITCH	INTERRUPTEUR	SCHALTER	
107	18204190/2	1	CAVO AVVIAMENTO	START CABLE	CABLE DÉMARRAGE	STARTKABEL	
			<b>VARIANTE ACCELERATORE</b>	<b>THROTTLE VARIANTS</b>	<b>VARIANTES COMMANDE D'ACCELERATION</b>	<b>ÄNDERUNGEN AUF GASHEBEL</b>	
T-3615/D	151	12291000/0	1	DADO	NUT	ECROU	MUTTER
152	12581500/0	1	GROWER	GROWER	GROWER	FEDERRING	
153	22171005/0	1	DISTANZIALE	SPACER	ENTRETOISE	DISTANZRING	
154	12521360/0	1	RONDELLA	WASHER	RONDELLE	SCHEIBE	
155	12508100/0	1	RONDELLA ELASTICA	SPRING WASHER	RONDELLE ELASTIQUE	ELASTISCHE SCHEIBE	
156	81007279/0	1	ASS. LEVA+MANOPOLINA	LEVER+KNOB ASS.Y	ENS. LEVIER+POIGNEE	HEBEL+GRIFF SATZ	
157	81007080/0	1	ASSIEME ACCELERATORE	TROTTLE UNIT ASS.Y	ENS. ACCELERATEUR	BESCHLEUNIGER SATZ	
158	12815000/0	1	VITE	SCREW	VIS	SCHRAUBE	
159	81007024/0	1	ETICHETTA	LABEL	ETIQUETTE	ETIKETTE	
—	14356702/0	1	(TECUMSEH-HONDA)	(TECUMSEH-HONDA)	(TECUMSEH-HONDA)	(TECUMSEH-HONDA)	
—	14356703/0	1	(B&S)	(B&S)	(B&S)	(B&S)	

T-3615/ E

Pos. Nr.	Codice Code Kodex	Q.tà Q.ty-Q.tè Menge	Descrizione	Description	Description	Beschreibung
			VARIANTE REGIME FISSO	FIXED SPEED VARIANTS	VARIANTES POUR MODÈLE À REGIME FIXE	ÄNDERUNGEN FÜR MODELLE MIT FIXIERTER DREHZAHL
201	22601000/ 0		PROTEZIONE	PROTECTION	PROTECTION	SCHUTZ

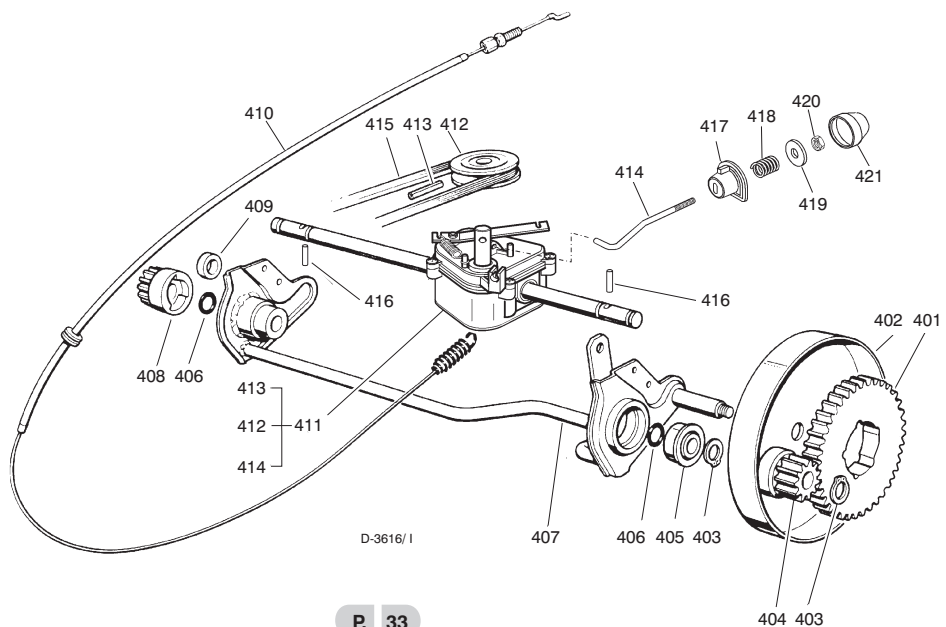
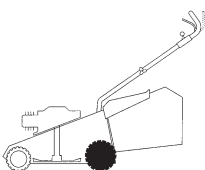
- RUOTE E REGOLAZIONE**
- WHEELS AND HEIGHT ADJUSTING**
- ROUES ET REGLAGE HAUTER DE COUPE**
- RÄDER UND SCHNITTHÖHEVERSTELLUNG**



T-3656/ 1/ F

251	12293200/ 0	2	DADO	NUT	ECROU	MUTTER
252	12583500/ 0	2	GROWER	GROWER	GROWER	FEDERRING
253	12523070/ 0	2	RONDELLA	WASHER	RONDELLE	SCHEIBE
254	22735547/ 0	2	SETTORE REGOLAZIONE	ADJUSTMENT SECTOR	SECTEUR REGLAGE	VERSTELLUNGSEKTOR
255	81005082/ 0	2	SUPP. RUOTA	WHEEL SUPPORT	SUPPORT ROUE	RADHALTER
256	81003285/ 1	2	LEVA REGOLAZIONE	ADJUSTMENT LEVER	LEVIER REGLAGE	VERSTELLUNGHEBEL
257	22171001/ 0	2	DISTANZIALE	SPACER	ENTRETOISE	DISTANZRING
258	12793701/ 0	2	VITE	SCREW	VIS	SCHRAUBE
258A	12521350/ 0	2	RONDELLA	WASHER	RONDELLE	SCHEIBE
259	22034508/ 0	8	BOCCOLA	BUSH	DOUILLE	BUCHSE
260	81007326/ 0	4	RUOTA Ø 170	WHEEL Ø 170	ROUE Ø 170	RAD Ø 170
261	12523060/ 0	4	RONDELLA	WASHER	RONDELLE	SCHEIBE
262	12155000/ 0	4	DADO	NUT	ECROU	MUTTER
263	—	—	COPRIMOZZO	HUB CAP	COUVRE-MOYEU	RADKAPPE
—	22110262/ 0	2	BIANCO	WHITE	BLANC	WEIßE
—	22110263/ 0	2	GIALLO	YELLOW	JAUNE	GELBE
—	22110264/ 0	2	ROSSO	RED	ROUGE	ROTE
264	81003279/ 2	1	LEVA REGOLAZIONE	ADJUSTMENT LEVER	LEVIER REGLAGE	VERSTELLUNGHEBEL
265	12789000/ 0	2	VITE	SCREW	VIS	SCHRAUBE
266	12154330/ 0	2	DADO	NUT	ECROU	MUTTER
267	81007328/ 0	2	RUOTA Ø 210	WHEEL Ø 210	ROUE Ø 210	RAD Ø 210
268	—	—	COPRIMOZZO	HUB CAP	COUVRE-MOYEU	RADKAPPE
—	22110265/ 0	2	BIANCO	WHITE	BLANC	WEIßE
—	22110266/ 0	2	GIALLO	YELLOW	JAUNE	GELBE
—	22110267/ 0	2	ROSSO	RED	ROUGE	ROTE

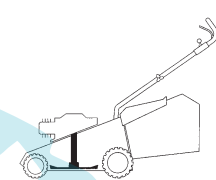
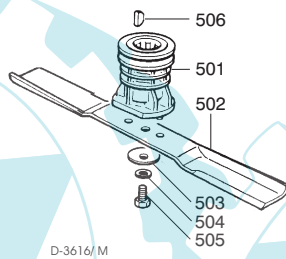
- GRUPPO TRAZIONE**
- REAR DRIVE**
- GROUPE TRACTION**
- ANTRIEB**



T-3616/I

Pos. Nr.	Codice Code Kodex	Q.tà Q.ty-Q.tè Menge	Descrizione	Description	Description	Beschreibung
401	22120105/ 1	2	CORONA	RING GEAR	COURONNE	KRANZ
402	81006846/ 0	2	PROTEZIONE RUOTE	WHEEL GUARD	PROTECTION ROUE	RÄDERSCHUTZ
403	12608600/ 0	4	SEEGER	SEEGER	SEEGER	SEEGER
404	22570120/ 0	1	PIGNONE SINISTRO	LEFT PINION	PIGNON GAUCHE	LINKES RITZEL
405	22122200/ 0	2	CUSCINETTO	BEARING	COUSSINET	LAGER
406	12019900/ 0	2	ANELLO OR	OR RING	BAGUE OR	RING OR
407	81001252/ 1	1	ASSE RUOTE POSTERIORE	REAR WHEELS AXLE	AXE ROUES ARRIERE	HINTERRADACHSE
408	22570110/ 0	1	PIGNONE DESTRO	RIGHT PINION	PIGNON DROITE	RECHTES RITZEL
409	22170800/ 0	1	DISTANZIALE	SPACER	ENTRETOISE	DISTANZRING
410	81001143/ 0	1	ASS. COMANDO TRAZIONE	REAR DRIVE ASS.Y	ENS. COMMANDE TRACTION	ANTRIEBKABEL
411	81003059/ 0	1	ASS. GRUPPO TRAZIONE	GEAR BOX ASS.Y	ENS. GROUPE TRACTION	ANTRIEBSATZ
—	81003060/ 1	1	(PLASTICA)	(PLASTIC)	(PLASTIQUE)	(KUNSTSTOFF)
—	81003060/ 1	1	(ALLUMINIO)	(ALUMINIUM)	(ALUMINIUM)	(ALUMINIUM)
412	22601904/ 0	1	PULEGGIA 4 KM/ H	PULLEY 4 KM/ H	POULIE 4 KM/ H	RIEMENSCHIEBE 4 KM/ H
413	12645705/ 0	1	SPINA	PIN	GOUPILLE	STIFT
414	22033280/ 0	1	ASTA REGOLAZIONE	ADJUSTMENT ROD	TIGE REGLAGE	VERSTELLUNGSTANGE
415	35063800/ 0	1	CINGHIA Z 27	BELT Z 27	COURROIE Z 27	RIEMEN Z 27
416	22753000/ 0	2	SPINA	PIN	GOUPILLE	STIFT
417	22041957/ 0	1	BUSSOLA	BUSH	DOUILLE	BUCHSE
418	22450063/ 0	1	MOLLA	SPRING	RESSORT	FEDER
419	22680009/ 0	1	RONDELLA	WASHER	RONDELLE	SCHIEBE
420	12154510/ 0	1	DADO	NUT	ECROU	MUTTER
421	22110230/ 0	1	TAPPO	CAP	BOUCHON	GUMMISTOPFEN

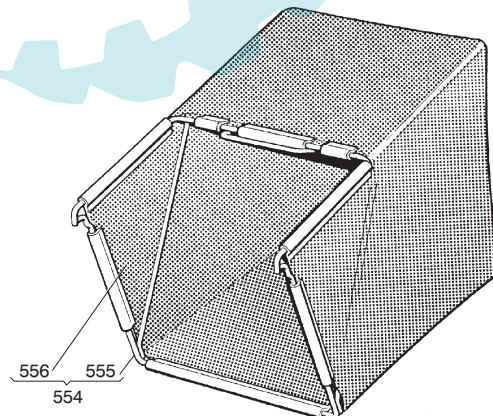
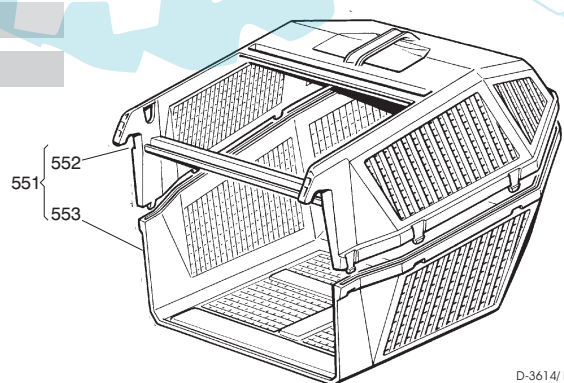
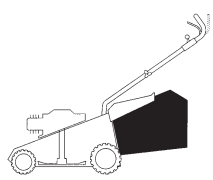
**GRUPPO COLTELLO**  
**BLADE ASS.Y**  
**GROUPE LAME**  
**MESSERSATZ**



T-3618/M

501	22465607/ 0	1	MOZZO CON PULEGGIA	HUB WITH PULLEY	MOYEU AVEC POULIE	NABE MIT SCHEIBE
502	81004366/ 1	1	COLTELLO	BLADE	LAME	MESSER
—	81004395/ 1	1	STANDARD	STANDARD	STANDARD	STANDARD
—	81004395/ 1	1	ALETTATO	WINGED	AILETTÉE	FLÜGEL
503	22160400/ 0	1	RONDELLA ELASTICA	SPRING WASHER	RONDELLE ELASTIQUE	ELASTISCHE SCHEIBE
504	12523080/ 0	1	RONDELLA	WASHER	RONDELLE	SCHIEBE
505	12735698/ 0	1	VITE	SCREW	VIS	SCHRAUBE
506	12139100/ 0	1	LINGUETTA	FEATHER	CLAVETTE	KEIL

**SACCO RACCOGLIERBA**  
**GRASS-CATCHER**  
**BAC DE RAMASSAGE**  
**GRASFANGKORB**



T-3614/N

551	98005000/ 1	1	SACCO COMPLETO	COMPLETE GRASS-BOX	SAC COMPLET	KOMPLETTER KORB
552	22486076/ 0	1	PARTE SUP. SACCO	UPPER GRASS BOX	PARTIE SUP. SAC	OBERSKORB
553	22486077/ 0	1	PARTE INF. SACCO	LOWER GRASS BOX	PARTIE INF. SAC	UNTERSKORB
554	98004000/ 0	1	ASS. SACCO IN TELA	CANVASS GRASSCATCHER	ENSEMBLE SAC EN TOILE	KOMPLETTER SACK
555	81006408/ 0	1	TELAIO	CHASSIS	CHÂSSIS	RAHMEN
556	81002105/ 2	1	TELA SACCO	FABRIC BOX	TOILE POUR SAC	TUCK FÜR SACK